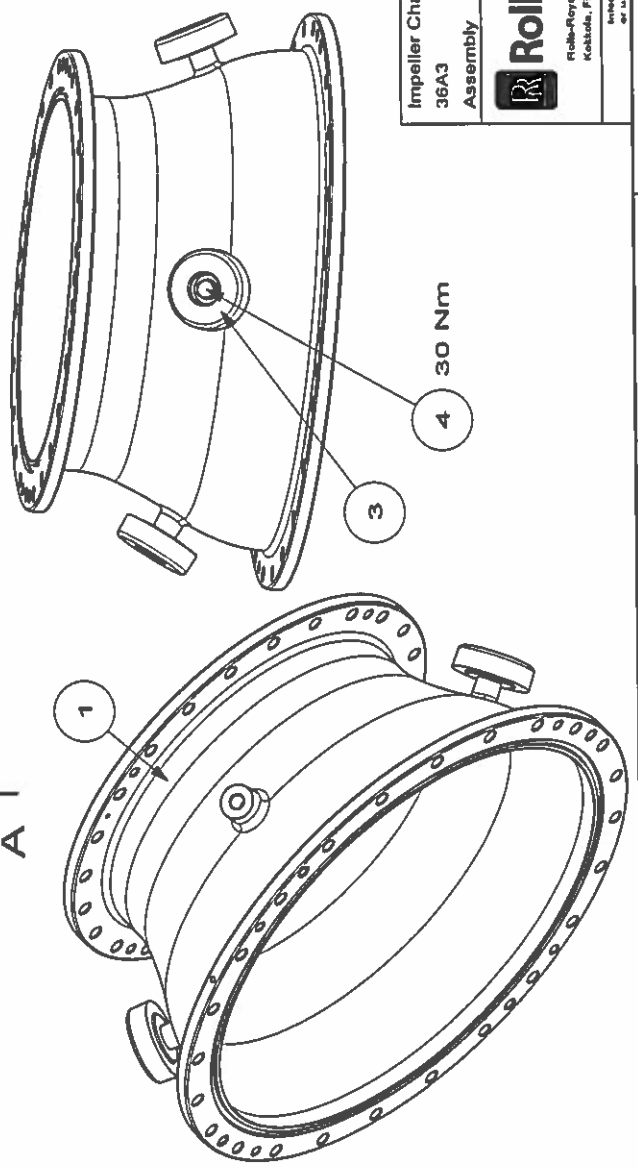
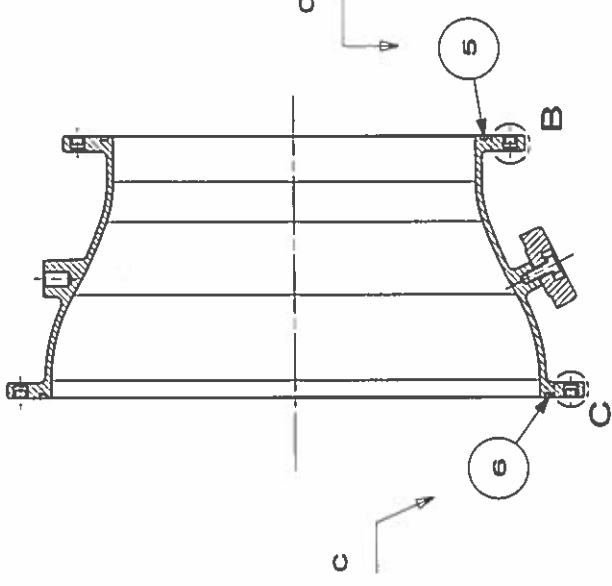
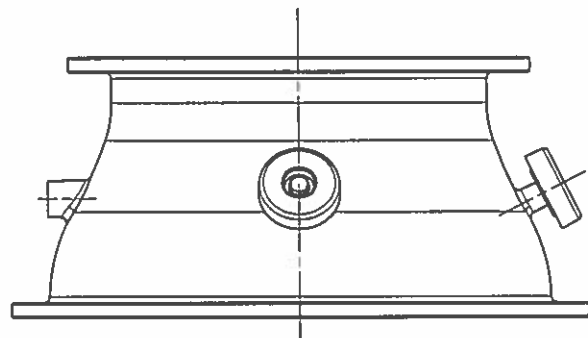
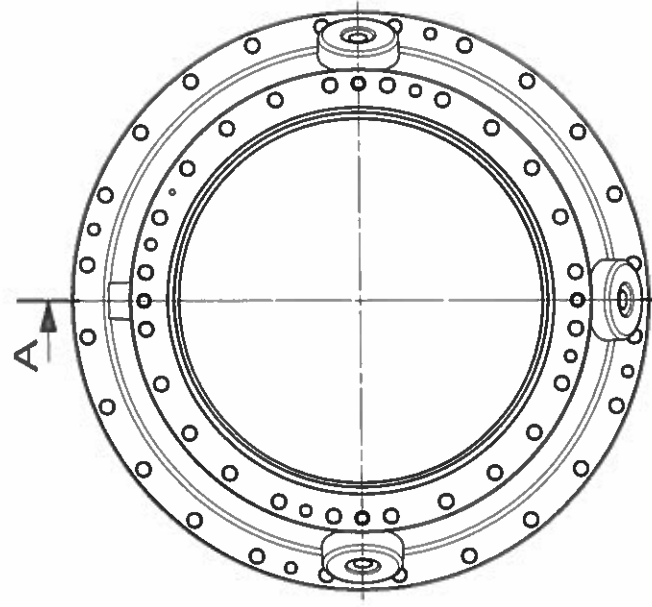
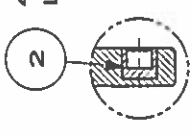


No	Pcs	Revision	Date	Drawn
B	1	Pos. 2 changed	2012-02-09	THan
C	4	Bushings changed. O-rings added.	2012-06-06	THan



SECTION A-A
SCALE 1:5



DETAIL B
SCALE 1:2

DETAIL C
SCALE 1:2

Impeller Chamber
36A3
Assembly



Origin/Date	Scale	Format	Sheet
THAN 20120118	1:5	A3	1 of 1
Drawing no			Revision:
RRM000200216			C

Information contained herein is the property of Rolls-Royce Marine AB and may not be copied, reproduced, or transmitted to a third party, or used, for any purpose other than that for which it is supplied without the express written consent of Rolls-Royce Marine Oy Ab.